

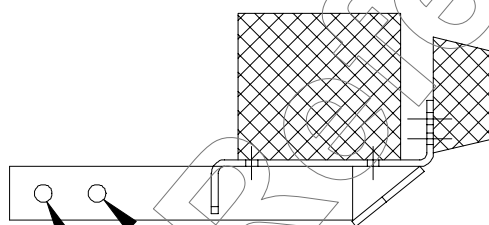
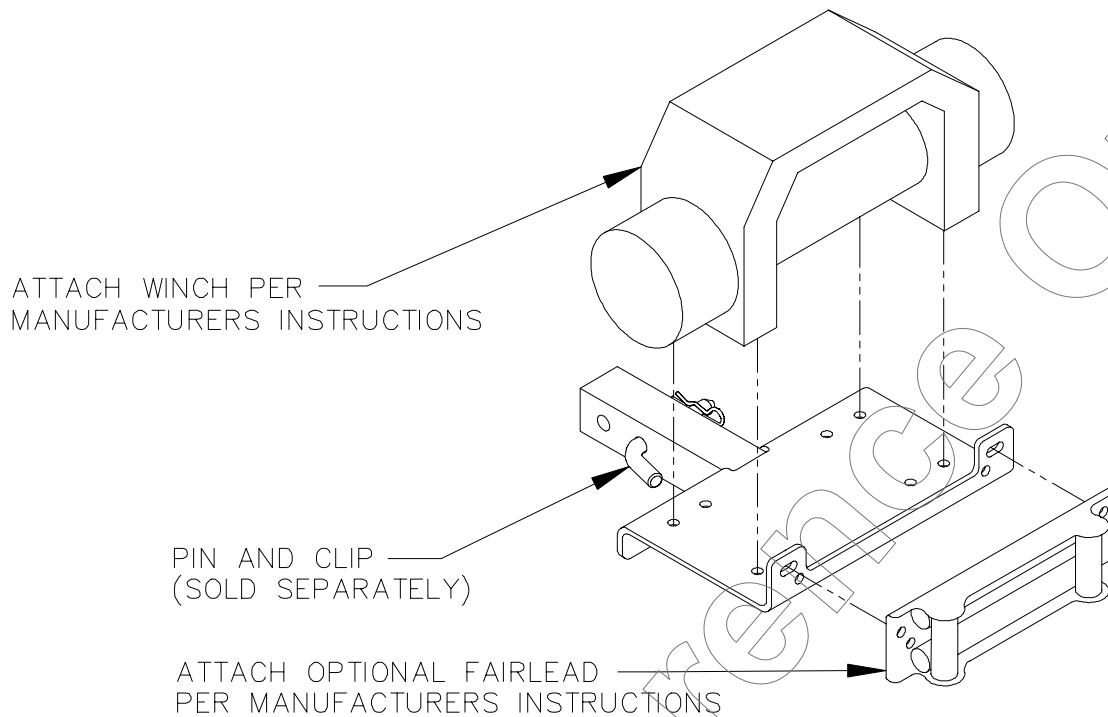
# INSTALLATION INSTRUCTIONS UNIVERSAL WINCH MOUNTING PLATE



PART NUMBER: 6495

DO NOT EXCEED GROSS TRAILER  
RATING OR MAX WINCH LINE  
PULL RATING OF RECEIVER

9000	LB. MAX. WINCH LINE PULL
------	--------------------------



1. ATTACH WINCH TO WINCH MOUNTING PLATFORM USING MANUFACTURERS HARDWARE AND INSTRUCTIONS.
2. IF USING FAIRLEAD ATTACH PER THE MANUFACTURERS INSTRUCTIONS.
3. INSTALL THE WINCH AND PLATFORM IN THE RECEIVER AND PIN IN THE STANDARD ATTACHMENT HOLE AS SHOWN ABOVE. USE THE SECONDARY ATTACHMENT HOLE ONLY IF VEHICLE/WINCH CONFIGURATION DOES NOT ALLOW CLEARANCE FOR STANDARD ATTACHMENT HOLE.

## FRONT MOUNTED WINCH

- 1) Do not exceed front axle Gross Axle Weight Rating (GAWR). Consult owners manual and/or vehicle specification plate located on driver's door frame. Measure gross front axle weight by putting front wheels of loaded vehicle on a vehicle scale.

**WARNING:** Exceeding GAWR could result in overload of the front axle and/or suspension. This may result in **vehicle accident, property damage and personal injury.**

- 2) Reposition front mounted license plate, if view of license plate is obstructed.
- 3) Allow free air flow into grille opening.
- 4) Rear wheel traction may be reduced. Handling may be affected. Reduce speed and exercise caution while driving.
- 5) Winch mounting plate extends front of the vehicle. Approach angle is reduced. Exercise caution when parking and maneuvering.
- 6) Do not obstruct driver's view.

## VEHICLE RECOVERY / WINCHING TIPS

- 1) Use OEM tow hooks, recovery eyes or a clevis mount.

**WARNING: NEVER** use a ball and/or ball mount as an anchor point for tow strap or winch cable. Severe personal injury or death could result.

- 2) Observe winch and receiver manufacturer's recommendations, cautions and warnings.
- 3) When using a snatch block, attach return line to tow hook or recovery eye (See Figure 1).

**CAUTION:** Do not attach return line to winch mount. Doing so could result in overload of winch mount and/or front mounted receiver.

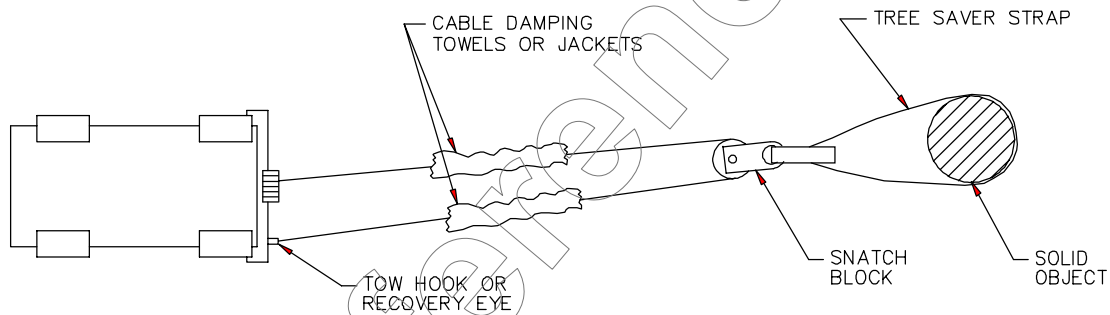


FIGURE 1

## RATING

The universal winch mounting plate is rated for **Maximum** line pull with the winch cable direction not to exceed:

- 15° Angle up or down from horizontal (See Figure 2).
- 45° Angle left or right from straight ahead (See Figure 3).

**CAUTION:** Exceeding the maximum line pull rating could result in overload of winch, winch mount, and/or receiver.

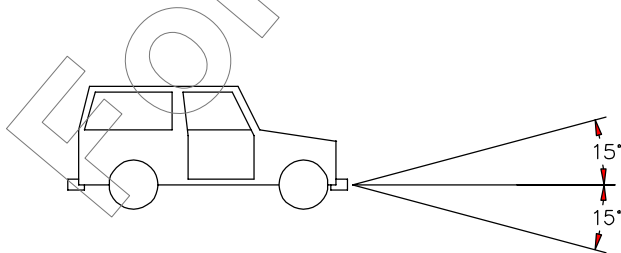


FIGURE 2

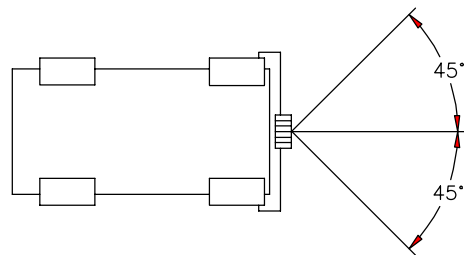


FIGURE 3