

INSTALLATION INSTRUCTIONS

| | |
|------------------------|-----------|
| VEHICLE | HITCH NO. |
| DODGE RAM PICKUP TRUCK | 41536 |

EQUIPMENT REQUIRED:

WIRING ACCESS LOCATION: PU3, PU4

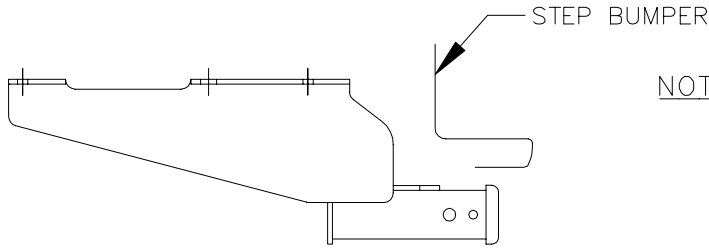
DRILL BITS: 1/2"

HITCH REQUIRES 5/8" PIN AND CLIP IF STABILIZING PIN IS NOT INSTALLED.

WRENCHES: (TIGHTEN ALL FASTENERS WITH TORQUE WRENCH) 7/8"

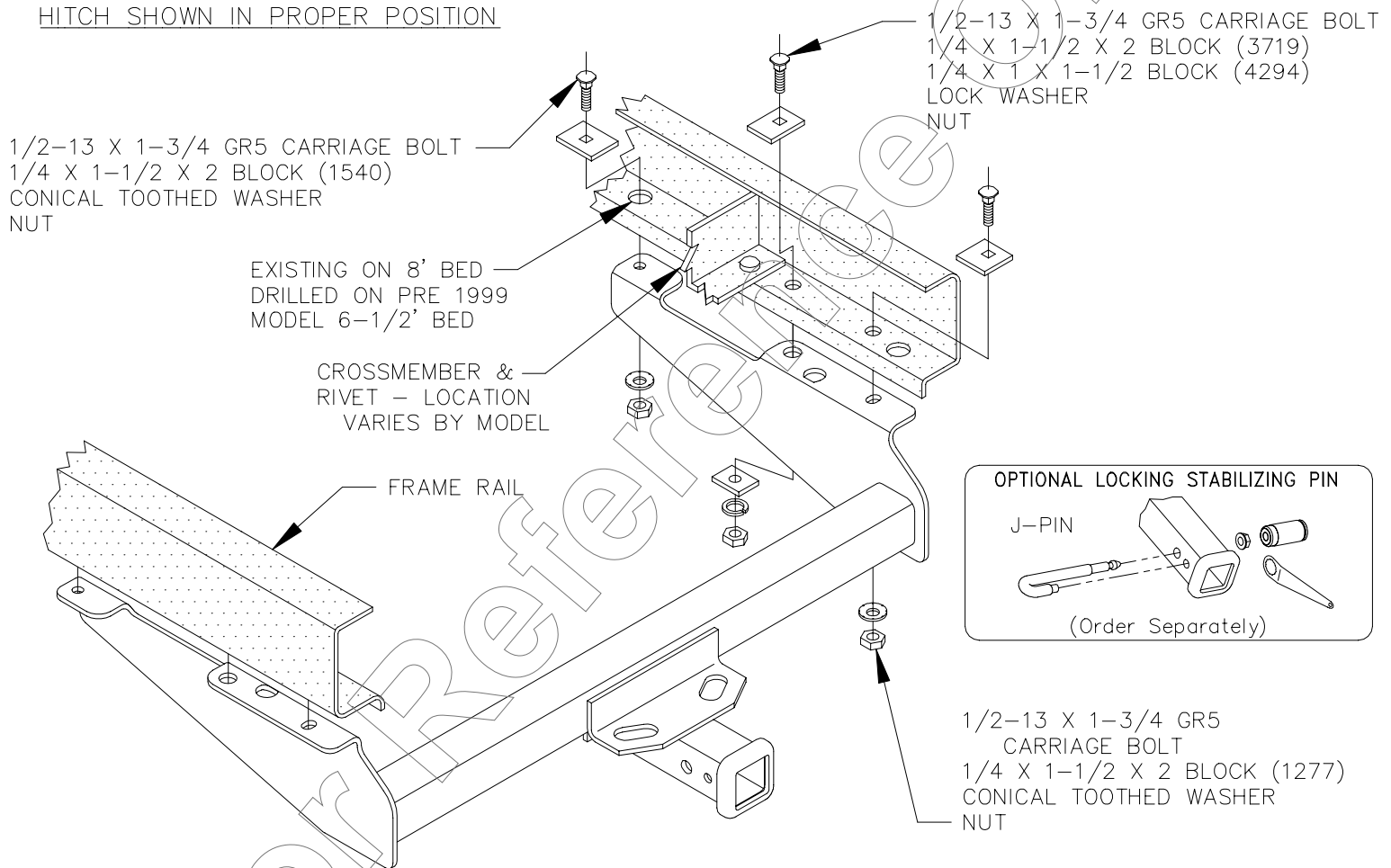
DO NOT EXCEED LOWER OF TOWING VEHICLE MFR'S RATINGS OR

| HITCH TYPE ▼ | MAX GROSS TRLR WT(LB) | MAX TONGUE WT(LB) |
|----------------------------|-----------------------|-------------------|
| WEIGHT DISTRIBUTING | 10,000 | 1000 |
| WEIGHT CARRYING BALL MOUNT | 6000 | 600 |



NOTE: ALL FASTENERS TYPICAL BOTH SIDES OF VEHICLE

HITCH SHOWN IN PROPER POSITION



1/2-13 X 1-3/4 GR5 CARRIAGE BOLT
1/4 X 1-1/2 X 2 BLOCK (1277)
CONICAL TOOTHED WASHER
NUT

OPTIONAL LOCKING STABILIZING PIN

J-PIN

(Order Separately)

8' BED VEHICLES - USES EXISTING HOLES IN FRAME - NO DRILLING REQUIRED.
6-1/2' BED VEHICLES - FORWARD ATTACHMENT HOLES NEED TO BE DRILLED.

1. RAISE HITCH INTO POSITION AND INSTALL FASTENERS AS SHOWN ABOVE.
NOTE: ON 6-1/2 BED VEHICLES DRILL A 1/2" HOLE FOR THE FORWARD FASTENERS.

TIGHTEN ALL 1/2 GR5 FASTENERS TO 75 LB.-FT.

THIS PRODUCT COMPLIES WITH SAFETY SPECIFICATIONS AND REQUIREMENTS FOR CONNECTING DEVICES AND TOWING SYSTEMS OF THE STATE OF NEW YORK AND V.E.S.C. REGULATION V-5.

| | | | |
|---------------------|------|------------------|--------|
| APPROX WEIGHT (LB.) | 46.5 | FASTENER KIT NO. | F41536 |
|---------------------|------|------------------|--------|

NOTE: Check hitch frequently, making sure all fasteners and ball are properly tightened. If hitch is removed, plug all holes in trunk pan or other body panels to prevent entry of water and exhaust fumes. A hitch or ball which has been damaged should be removed and replaced. Observe safety precautions when working beneath a vehicle and wear eye protection. Follow car maker's specs for maximum trailer weight and tongue weight. Do not cut access or attachment holes with a torch.

