

INSTALLATION INSTRUCTIONS

VEHICLE

HITCH NO.

SUBARU FORESTER

36240
06023

EQUIPMENT REQUIRED:

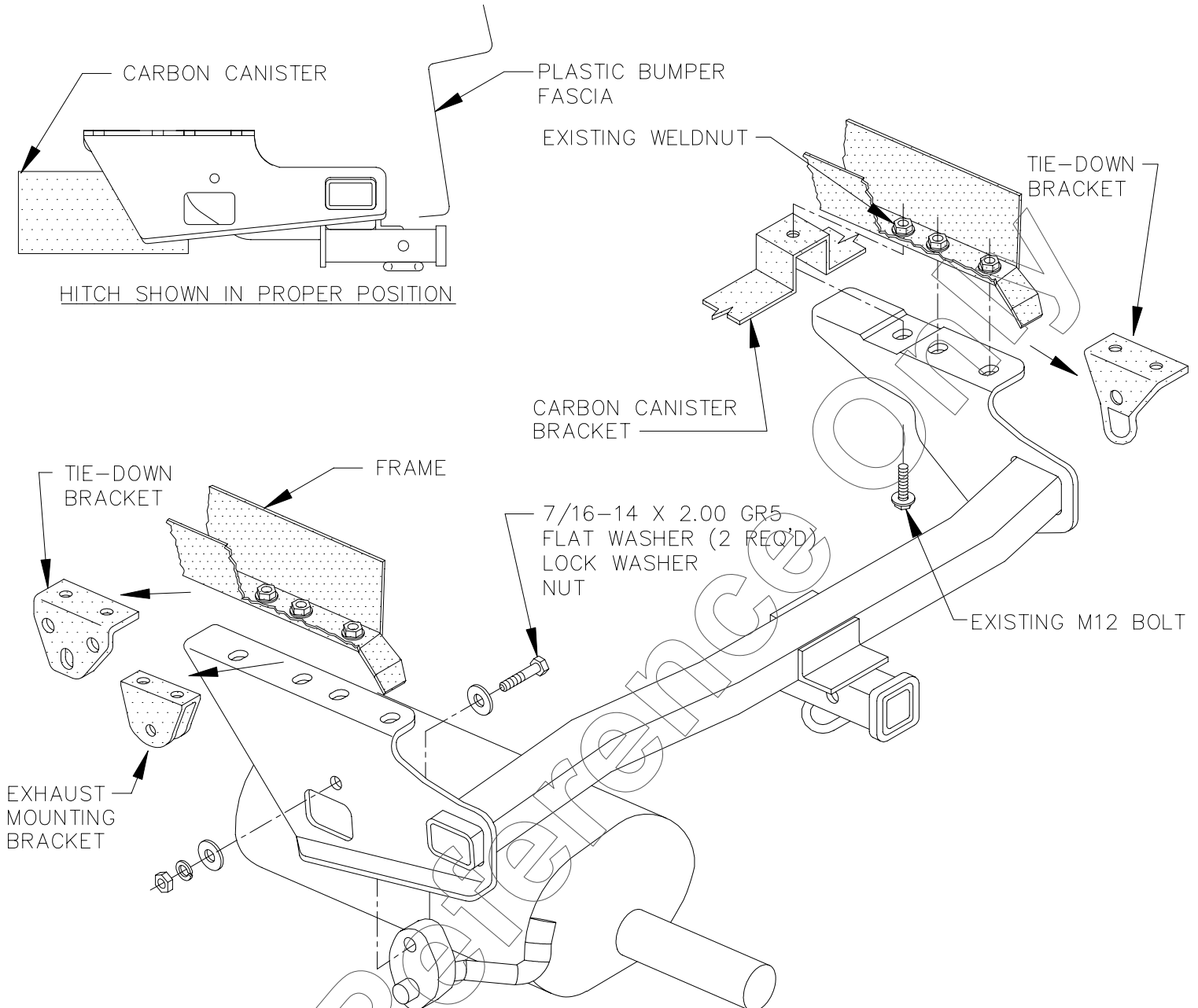
WIRING ACCESS LOCATION: SUV4

DRILL BITS: NONE

HITCH REQUIRES 1/2" PIN AND CLIP

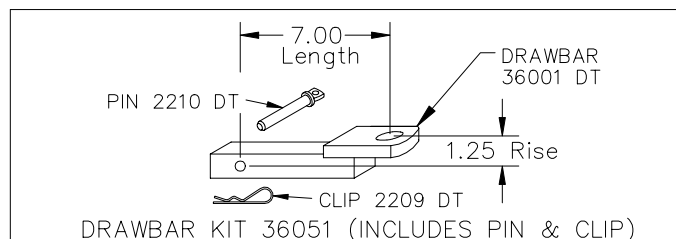
WRENCHES: (TIGHTEN ALL FASTENERS WITH TORQUE WRENCH) 12mm, 14mm, 17mm, 5/8, 11/16

3500 LB MAX GROSS TRAILER WT
300 LB MAX TONGUE WEIGHT
DO NOT EXCEED TOWING VEHICLE RATINGS



1. LOWER CARBON CANISTER AND BRACKET FROM PASSENGER SIDE OF FRAME.
2. REMOVE TIE-DOWN BRACKETS FROM VEHICLE FRAME.
3. REMOVE EXHAUST MOUNTING BRACKET FROM VEHICLE FRAME. (RETURN TIE-DOWN BRACKETS, EXHAUST MOUNTING BRACKET & EXHAUST MOUNTING FASTENER TO VEHICLE OWNER FOR REINSTALLATION IF HITCH IS REMOVED.)
4. BOLT HITCH TO VEHICLE, SANDWICHING CARBON CANISTER BRACKET BETWEEN HITCH AND FRAME, USING EXISTING FASTENERS AS SHOWN ABOVE.
5. BOLT RUBBER EXHAUST HANGER TO HITCH SIDE BRACKET USING FASTENERS PROVIDED AS SHOWN ABOVE.
6. REATTACH CARBON CANISTER TO CARBON CANISTER BRACKET.

TIGHTEN 7/16 GR5 FASTENERS TO 50 LB.-FT.



USE ONLY THE DRAWBAR SHOWN FOR CORRECT BUMPER CLEARANCE AND HEIGHT.
DRAWBAR MUST BE USED IN THE RISE POSITION ONLY.

THIS PRODUCT COMPLIES WITH SAFETY SPECIFICATIONS AND REQUIREMENTS FOR CONNECTING DEVICES AND TOWING SYSTEMS OF THE STATE OF NEW YORK AND V.E.S.C. REGULATION V-5.

APPROX WEIGHT (LB.)

28

FASTENER KIT NO.

1130-866

NOTE: Check hitch frequently, making sure all fasteners and ball are properly tightened. If hitch is removed, plug all holes in trunk pan or other body panels to prevent entry of water and exhaust fumes. A hitch or ball which has been damaged should be removed and replaced. Observe safety precautions when working beneath a vehicle and wear eye protection. Follow car maker's specs for maximum trailer weight and tongue weight. Do not cut access or attachment holes with a torch.

Canton, Michigan
Elkhart, Indiana